

PHARMACOPOEIAL DISCUSSION GROUP

REV 1 – CORR 1

G02

Bulk density and tapped density of powders

It is understood that sign-off covers the technical content of the draft and each party will adapt it as necessary to conform to the usual presentation of the pharmacopoeia in question; such adaptation includes stipulation of the particular pharmacopoeia's reference materials and general chapters.

Items to be corrected:

- Apparatus 2: dimensions of the cup
- Apparatus 3: addition of a sentence on test conditions
- Compressibility index: addition of a sentence on use of V_{10} instead of V_0

European Pharmacopoeia

Signature

Name

Date

Leitel

LEITEL

10/06/09

Japanese Pharmacopoeia

Signature

Name

Date

H. Hamano

for Toshiro Nakagaki

10 June, 2009

United States Pharmacopoeia

Signature

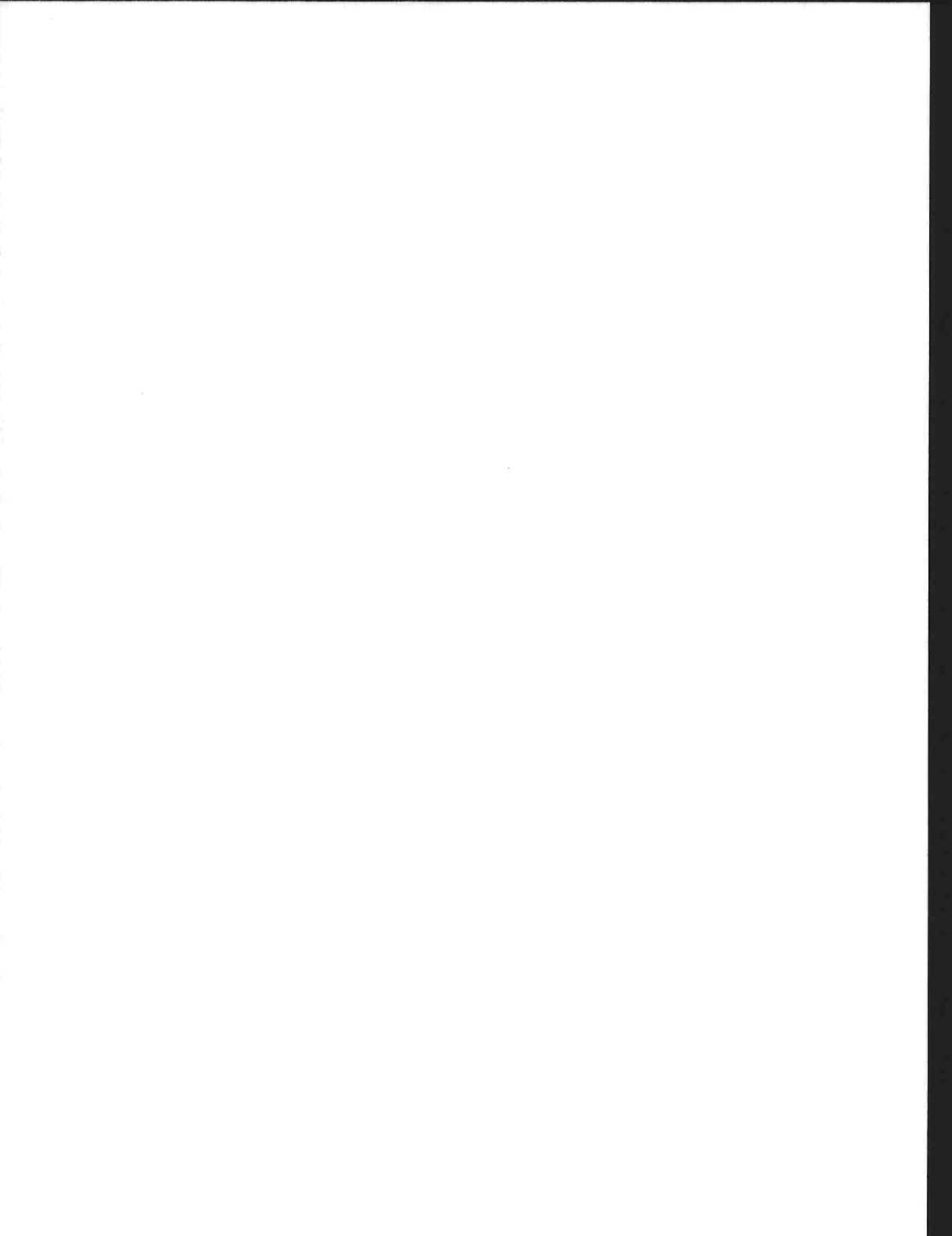
Name

Date

Paul R. J.

ABERNETHY

10 June, 2009



1
2
3
4 **BULK DENSITY AND TAPPED DENSITY OF POWDERS**
5
6

7 **Bulk density**
8

9 The bulk density of a powder is the ratio of the mass of an untapped powder sample and
10 its volume including the contribution of the interparticulate void volume. Hence, the bulk
11 density depends on both the density of powder particles and the spatial arrangement of
12 particles in the powder bed. The bulk density is expressed in grams per milliliter (g/ml)
13 although the international unit is kilogram per cubic meter ($1 \text{ g/ml} = 1000 \text{ kg/m}^3$)
14 because the measurements are made using cylinders.

15 It may also be expressed in grams per cubic centimeter (g/cm^3).

16 The bulking properties of a powder are dependent upon the preparation, treatment and
17 storage of the sample, i.e. how it was handled. The particles can be packed to have a range
18 of bulk densities and, moreover, the slightest disturbance of the powder bed may result
19 in a changed bulk density. Thus, the bulk density of a powder is often very difficult to
20 measure with good reproducibility and, in reporting the results, it is essential to specify
21 how the determination was made.
22

23 The bulk density of a powder is determined by measuring the volume of a known mass of
24 powder sample, that may have been passed through a screen, into a graduated cylinder
25 (Method 1), or by measuring the mass of a known volume of powder that has been passed
26 through a volumeter into a cup (Method 2) or a measuring vessel (Method 3).

27 *Method 1 and method 3 are favoured.*
28

29 **METHOD 1: MEASUREMENT IN A GRADUATED CYLINDER**
30

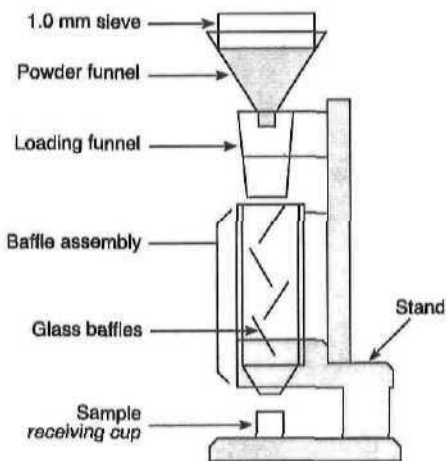
31 *Procedure.* Pass a quantity of powder sufficient to complete the test through a sieve with
32 apertures greater than or equal to 1.0 mm, if necessary, to break up agglomerates that
33 may have formed during storage; this must be done gently to avoid changing the nature of
34 the material. Into a dry graduated cylinder of 250 ml (readable to 2 ml), gently introduce,
35 without compacting, approximately 100 g of the test sample (m) weighed with 0.1 per
36 cent accuracy. Carefully level the powder without compacting, if necessary, and read the
37 unsettled apparent volume (V_0) to the nearest graduated unit. Calculate the bulk density
38 in g per ml by the formula m/V_0 . Generally, replicate determinations are desirable for the
39 determination of this property.

40 If the powder density is too low or too high, such that the test sample has an untapped
41 apparent volume of either more than 250 ml or less than 150 ml, it is not possible to use
42 100 g of powder sample. Therefore, a different amount of powder has to be selected as test
43 sample, such that its untapped apparent volume is 150 ml to 250 ml (apparent volume
44 greater than or equal to 60 per cent of the total volume of the cylinder); the mass of the
45 test sample is specified in the expression of results.

46 For test samples having an apparent volume between 50 ml and 100 ml a 100 ml cylinder
47 readable to 1 ml can be used; the volume of the cylinder is specified in the expression
of results.

1
2 **METHOD 2: MEASUREMENT IN A VOLUMETER**

3 *Apparatus.* The apparatus⁽¹⁾ (Figure 1) consists of a top funnel fitted with a 1.0 mm screen.
4 The funnel is mounted over a baffle box containing four glass baffle plates over which the
5 powder slides and bounces as it passes. At the bottom of the baffle box is a funnel that
6 collects the powder and allows it to pour into a cup mounted directly below it. The cup
7 may be cylindrical (25.00 ± 0.05 ml volume with an inside diameter of 30.00 ± 2.00 mm) or
8 a square (16.39 ± 0.20 ml volume with inside dimensions of 25.4 ± 0.076 mm).
9



23 **Figure 1. Volumeter**

24 *Procedure.* Allow an excess of powder to flow through the apparatus into the sample
25 receiving cup until it overflows, using a minimum of 25 cm³ of powder with the square
26 cup and 35 cm³ of powder with the cylindrical cup. Carefully, scrape excess powder from the
27 top of the cup by smoothly moving the edge of the blade of a spatula perpendicular to and
28 in contact with the top surface of the cup, taking care to keep the spatula perpendicular to
29 prevent packing or removal of powder from the cup. Remove any material from the side of
30 the cup and determine the mass (M) of the powder to the nearest 0.1 per cent. Calculate
31 the bulk density in g per ml by the formula M/V_0 in which V_0 is the volume of the cup and
32 record the average of 3 determinations using 3 different powder samples.
33

34 **METHOD 3. MEASUREMENT IN A VESSEL**

35 *Apparatus.* The apparatus consists of a 100 ml cylindrical vessel of stainless steel with
36 dimensions as specified in Figure 2.
37
38
39
40

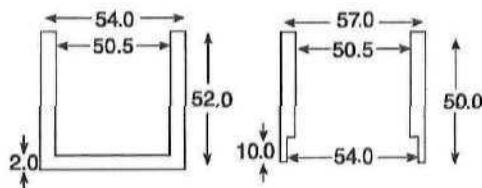


Figure 2. - Measuring vessel (left) and cap (right) - Dimensions in mm

(1) The apparatus (the Scott Volumeter) conforms to the dimensions in ASTM 329 90.

1
2 *Procedure.* Pass a quantity of powder sufficient to complete the test through a 1.0 mm
3 sieve, if necessary, to break up agglomerates that may have formed during storage and
4 allow the obtained sample to flow freely into the measuring vessel until it overflows.
5 Carefully scrape the excess powder from the top of the vessel as described for Method 2.
6 Determine the mass (M_0) of the powder to the nearest 0.1 per cent by subtraction of
7 the previously determined mass of the empty measuring vessel. Calculate the bulk
8 density (g/ml) by the formula $M_0/100$ and record the average of 3 determinations using
9 3 different powder samples.

11 Tapped density

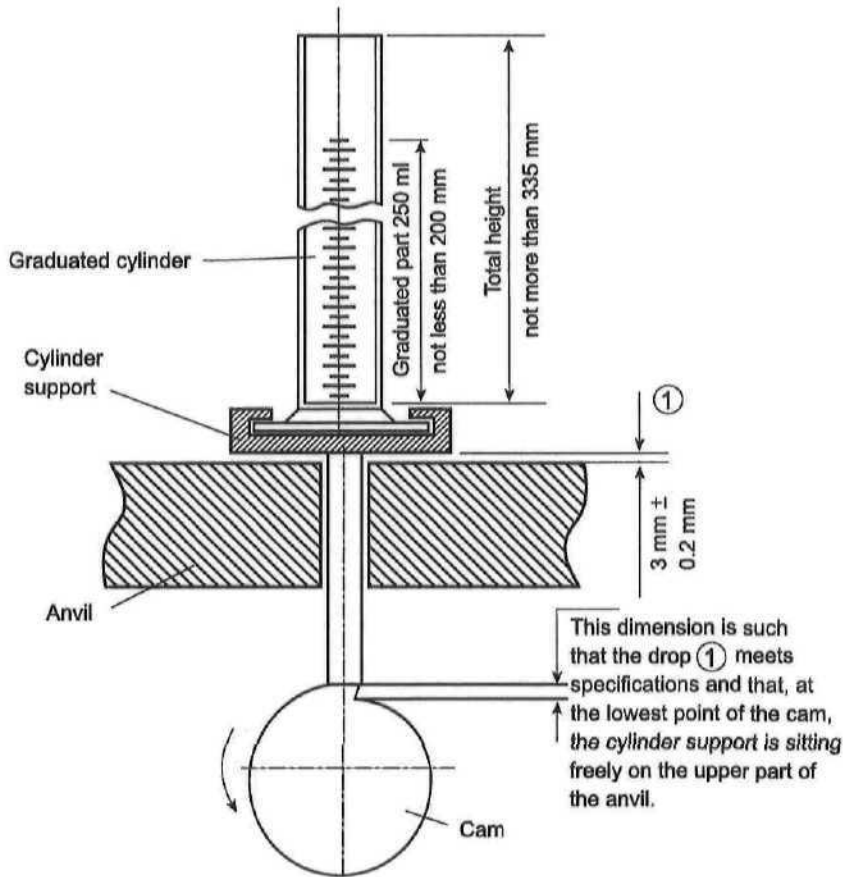
13 The tapped density is an increased bulk density attained after mechanically tapping a
14 container containing the powder sample.

15 The tapped density is obtained by mechanically tapping a graduated measuring cylinder or
16 vessel containing the powder sample. After observing the initial powder volume or mass,
17 the measuring cylinder or vessel is mechanically tapped, and volume or mass readings
18 are taken until little further volume or mass change is observed. The mechanical tapping
19 is achieved by raising the cylinder or vessel and allowing it to drop, under its own mass,
20 a specified distance by either of 3 methods as described below. Devices that rotate the
21 cylinder or vessel during tapping may be preferred to minimize any possible separation of
22 the mass during tapping down.
23

24 METHOD 1

25 *Apparatus.* The apparatus (Figure 3) consists of the following:

- 26 – a 250 ml graduated cylinder (readable to 2 ml) with a mass of 220 ± 44 g,
 - 28 – a settling apparatus capable of producing, in 1 min, either nominally 250 ± 15 taps from
29 a height of 3 ± 0.2 mm, or nominally 300 ± 15 taps from a height of 14 ± 2 mm. The
30 support for the graduated cylinder, with its holder, has a mass of 450 ± 10 g.
- 31
32
33
34
35
36
37
38
39
40
41
42
43
44
45
46
47



28
29
30
31
32
33
34
35
36
37
38

Figure 3

39
40
41
42
43
44
45
46
47

Procedure. Proceed as described above for the determination of the bulk volume (V_0). Secure the cylinder in the holder. Carry out 10, 500 and 1250 taps on the same powder sample and read the corresponding volumes V_{10} , V_{500} and V_{1250} to the nearest graduated unit. If the difference between V_{500} and V_{1250} is less than 2 ml, V_{1250} is the tapped volume. If the difference between V_{500} and V_{1250} exceeds 2 ml, repeat in increments such as 1250 taps, until the difference between succeeding measurements is less than 2 ml. Fewer taps may be appropriate for some powders, when validated. Calculate the tapped density (g/ml) using the formula m/V_f in which V_f is the final tapped volume. Generally, replicate determinations are desirable for the determination of this property. Specify the drop height with the results.

If it is not possible to use a 100 g test sample, use a reduced amount and a suitable 100 ml graduated cylinder (readable to 1 ml) weighing 130 ± 16 g and mounted on a holder weighing 240 ± 12 g. The modified test conditions are specified in the expression of the results.

METHOD 2

Procedure. Proceed as directed under Method 1 except that the mechanical tester provides a fixed drop of 3 ± 0.2 mm at a nominal rate of 250 taps per minute.

1
2 METHOD 3
3

4 *Procedure.* Proceed as described in the method for measuring the bulk density using the
5 measuring vessel equipped with the cap shown in Figure 2. The measuring vessel with
6 the cap is lifted 50-60 times per minute by the use of a suitable tapped density tester.
7 Carry out 200 taps, remove the cap and carefully scrape excess powder from the top of
8 the measuring vessel as described in Method 3 for measuring the bulk density. Repeat
9 the procedure using 400 taps. If the difference between the 2 masses obtained after 200
10 and 400 taps exceeds 2 per cent, carry out a test using 200 additional taps until the
11 difference between succeeding measurements is less than 2 per cent. Calculate the tapped
12 density (g/ml) using the formula $M_t/100$ where M_t is the mass of powder in the measuring
13 vessel. Record the average of 3 determinations using 3 different powder samples. The test
14 conditions including tapping height are specified in the expression of the results.
15

16
17 Measures of powder compressibility

18 Because the interparticulate interactions influencing the bulking properties of a powder
19 are also the interactions that interfere with powder flow, a comparison of the bulk and
20 tapped densities can give a measure of the relative importance of these interactions in a
21 given powder. Such a comparison is often used as an index of the ability of the powder to
22 flow, for example the Compressibility Index or the Hausner Ratio.
23

24 The *Compressibility Index* and Hausner Ratio are measures of the propensity of a powder
25 to be compressed as described above. As such, they are measures of the powder ability
26 to settle and they permit an assessment of the relative importance of interparticulate
27 interactions. In a free-flowing powder, such interactions are less significant, and the
28 bulk and tapped densities will be closer in value. For poorer flowing materials, there
29 are frequently greater interparticulate interactions, and a greater difference between
30 the bulk and tapped densities will be observed. These differences are reflected in the
31 *Compressibility Index* and the Hausner Ratio.
32

33 *Compressibility Index :*
34

35
36
$$\frac{100 (V_0 - V_f)}{V_0}$$

37
38

39 V_0 = unsettled apparent volume,

40 V_f = final tapped volume.
41
42
43
44
45
46
47

1
2
3
4
5
6
7
8
9
10
11
12
13
14
15
16
17
18
19
20
21
22
23
24
25
26
27
28
29
30
31
32
33
34
35
36
37
38
39
40
41
42
43
44
45
46
47

Hausner Ratio:

$$\frac{V_0}{V_f}$$

Depending on the material, the compressibility index can be determined using V_{10} instead of V_0 . If V_{10} is used, it is clearly stated in the results.